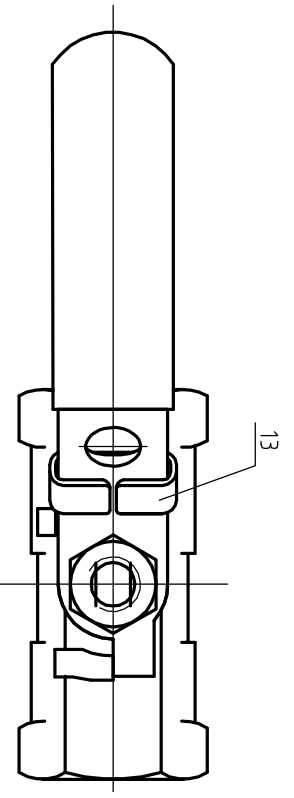
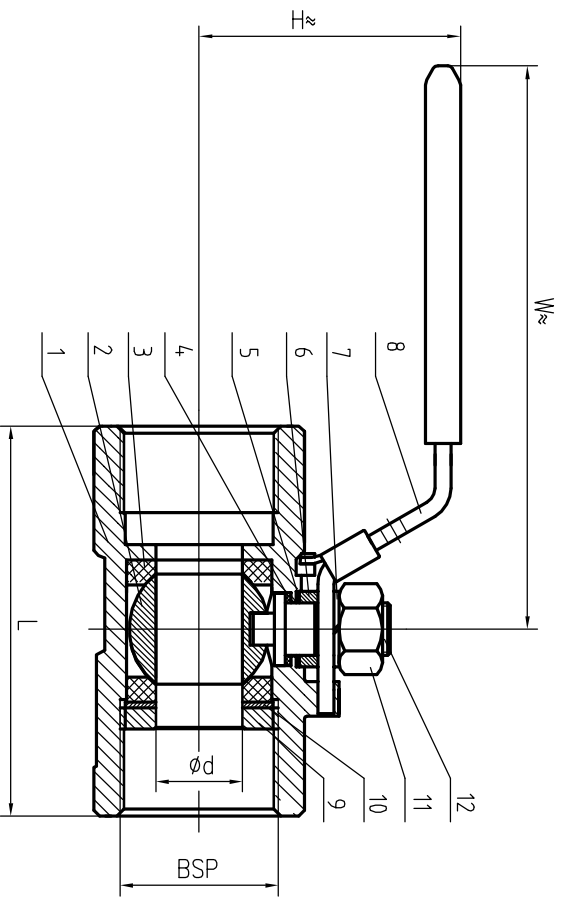


Nominal Diameter		Connection Dimension units:(mm)					
NO.	NPS	DN	L	BSP	φd	W _≈	H _≈
1	1/2"	15	56	1/2"	10	90	36
2	3/4"	20	60	3/4"	12	95	36
3	1"	25	71	1"	15	95	48
4	1 1/4"	32	80	1 1/4"	20	115	54
5	1 1/2"	40	84	1 1/2"	25	125	60
6	2"	50	101	2"	32	135	65.5



Technical Specification	
Design Spec	ISO 117292
Pressure Temp	ASME B16.34
End connection	ISO 228
Test Check	API 598

16		8	Handle	SS
15		7	Spring Washer	SS
14		6	Cap	SS316
13	Lock	5	Packing	PTFE
12	Stem	4	Thrust Washer	PTFE
11	Nut	3	Seal Ring	PTFE
10	Gasket	2	Ball	SS316
9	Cap	1	Body	ASTM A351 CF8M
NO.	Name	NO.	Name	Material

ASTM A351 CF8M				Jiangsu unicents valve Co., Ltd.	
sign design	revision	signature	date	pattern marking	weight proportion
check					
technology		date		total Page	The first page
IPC Ball Valve			1000WOG BSP		

2018.06.21